

AKAI

www.akai-atd.com

2-way Speaker (CSP-8500/CSP-8600)

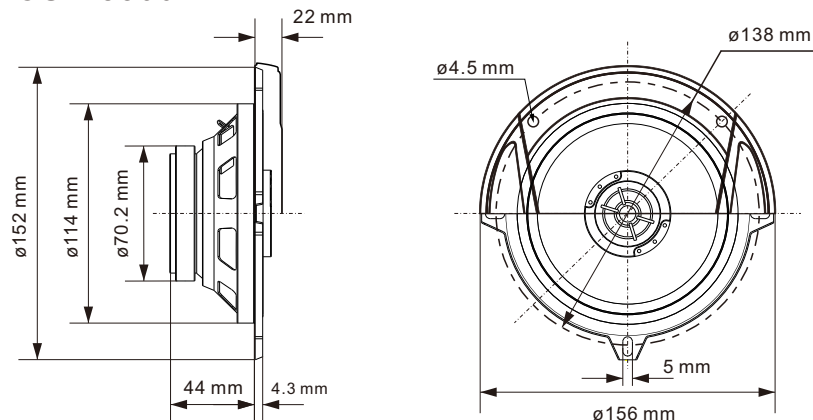
Instructions

Precautions

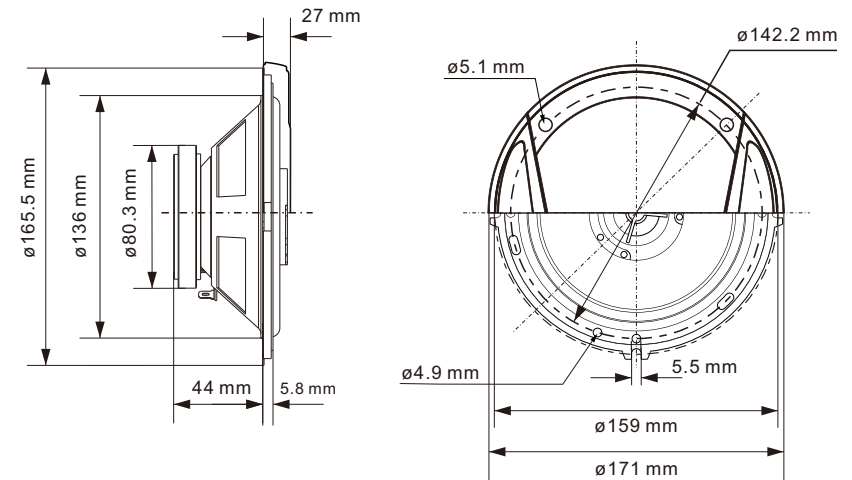
- Do not continuously use the speaker system beyond the peak power handling capacity.
- Keep recorded tapes, watches, and personal credit cards using magnetic coding away from the speaker system to protect them from damage caused by the magnets in the speakers.
- Please note these following when installing the units; otherwise malfunction and/or deterioration in sound quality may result.
 - Do not touch the diaphragms and/or speaker cones by hand or with tools.
 - Do not put your fingers through the holes of the frame.

If you cannot find an appropriate mounting location, consult your car dealer or your nearest our company dealer before mounting.

CSP-8500



CSP-8600

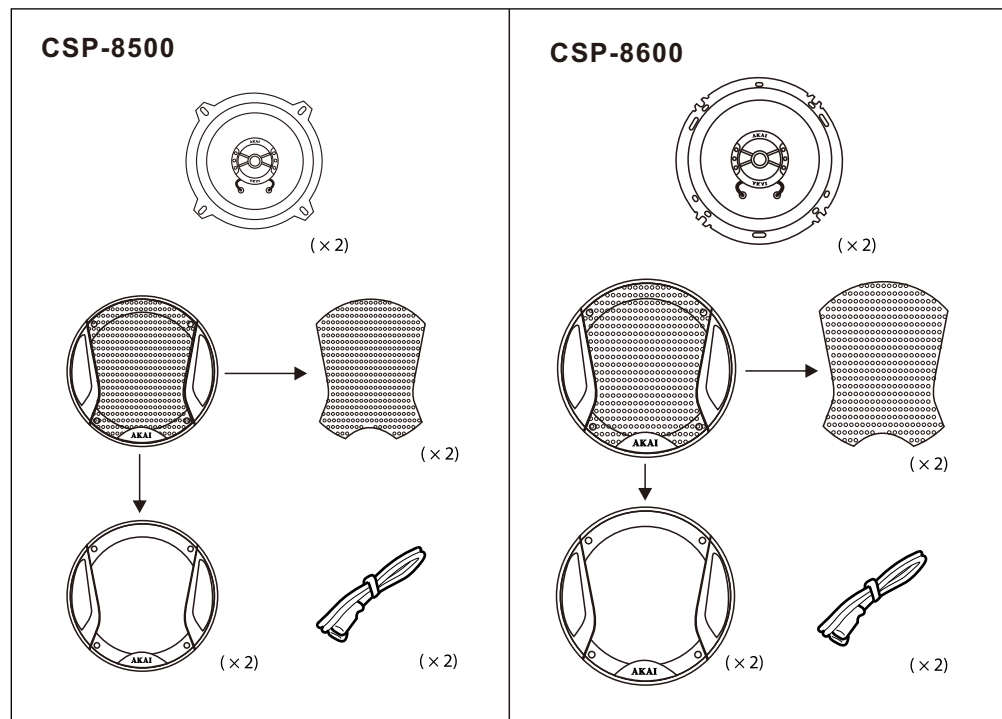


Before mounting

A depth of at least CSP-8500 (**45mm**) , CSP-8600 (**45mm**) is required to mount the speaker. Measure the depth of the area where you are to mount the speaker, and ensure that the speaker is not obstructing any other components of the car. Keep the followings in mind when choosing a mounting location:

- Make sure that nothing is obstructing around the mounting location of the door(front or rear) where you are to mount the speaker.
- A hole for mounting may already be cut out of the inner panel of the door(front or rear).In this case, you need to modify the board only.
- If you are to mount this speaker system in the door(front or rear),make sure that the speaker terminals, frame or magnet do not interfere with any inner parts, such as the window mechanism in the door(when you open or close the window),etc.
Also make sure that the speaker grille does not touch any inner fittings, such as the window cranks, door handles, arm rests, door pockets, lamps or seats etc.
- If you are not mount this speaker system in the rear tray, make sure that the speaker terminals, frame or magnet do not touch any inner parts of the car, such as the torsion bar springs(when you open or close the trunk lid), etc.
Also make sure that the speaker grille does not touch any inner fittings, sure as seat belt, head rests, center brake lights, inner covers of the rear wipers, curtains or air purifiers, etc.

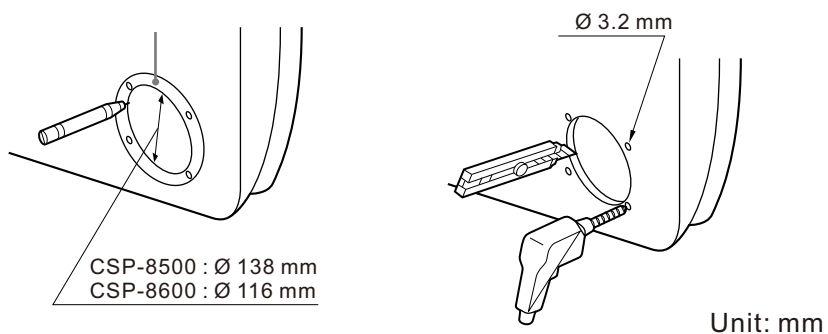
Part List



Mounting from the car interior

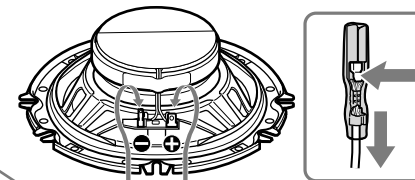
DOOR (FRONT / REAR)

- 1** Mark 4 bolt holes and make them 3.2mm in diameter.



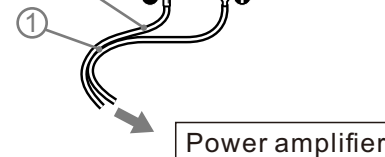
2

Black-Striped cord



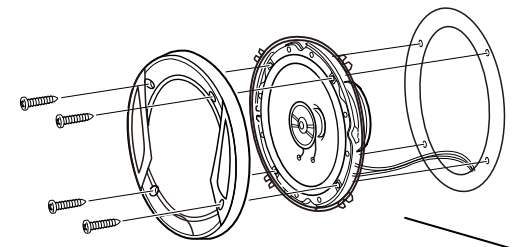
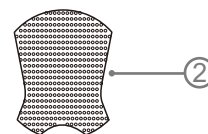
***Note**

When releasing ①, push down on the firmly and release ① carefully. If excessive force is used, damage to the speaker or terminal cable may result.



3

Before install the screw, please remove ② first.



Specifications

CSP-8500

Speaker	Coaxial 2-way Woofer Φ130mm Φ28 mm
Mylar dome tweeter	
Maximum Power	50W
Rated power	25W
Rated impedance	4Ω
Output sound pressure level	90dB/W(1m)
Effective frequency range	50Hz~22KHz

CSP-8600

Speaker	Coaxial 2-way Woofer Φ158mm Φ28 mm
Mylar dome tweeter	
Maximum Power	60W
Rated power	30W
Rated impedance	4Ω
Output sound pressure level	91dB/W(1m)
Effective frequency range	40Hz~22KHz

[Http://www.akai-atd.com](http://www.akai-atd.com)